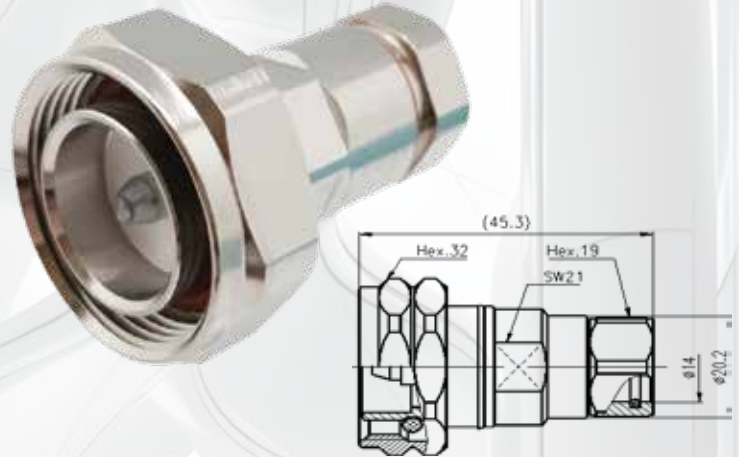


LT-DINM-1/2L-CL

DIN Male Connector for 1/2" RF Cable, Clamp Type

LT-DINM-1/2L-CL is a precision DIN Male 1/2" RF connector designed for reliable and low-loss connections in communication and RF systems. Engineered for durability and high performance, it ensures secure interfacing in professional and industrial applications.

LT-DINM-1/2L-CL provides a robust solution for connecting coaxial cables to RF equipment, offering consistent signal transmission and mechanical stability.



Features

- Connector Type: DIN Male 1/2"
- 50Ω impedance for stable RF performance
- Low insertion loss for reliable signal transmission
- Durable metal construction for long service life
- Secure threaded connection for mechanical stability

Key Highlights

- Frequency Range: DC to 7.5 GHz (typical)
- VSWR: ≤ 1.3 for excellent signal integrity
- Body Material: Nickel-plated brass for durability and corrosion resistance
- Contact Material: Gold-plated brass for superior conductivity

Applications

- Telecommunications base stations
- Broadcast and antenna systems
- RF transmission lines and feeders
- Industrial high-frequency equipment
- Signal distribution networks in critical infrastructure

Specifications

PART NUMBER	LT-DINM-1/2L-CL	
Description	DIN Male Connector for 1/2" RF Cable, Clamp Type	
Material and Plating		
Inner Conductor Pin	Brass / Silver Plating	
Inner Conductor Socket	Tin Bronze / Silver Plating	
Insulator	PTFE/TPX	
Body & Outer Conductor	Brass / Trimetal Plating	
Gasket	Silicon Rubber	
Nut	Brass / Trimetal Plating	
Electrical Specifications		
Characteristic Impedance	50 Ohm	
Frequency Range	DC~7.5GHz	
Insulation Resistance	$\geq 10000M\Omega$	
Dielectric Withstanding Voltage	4000V rms	
Operating Voltage	2700V rms	
Center Contact Resistance	$\leq 0.4 m\Omega$	
Outer Contact Resistance	$\leq 0.2 m\Omega$	
Insertion Loss	@DC-2.7 GHz	$\leq 0.10dB$
	@0.8-1.0 GHz	≤ 1.08
	@1.7-2.7 GHz	≤ 1.10
VSWR		
PIM3(2*43dBm)	$\leq -155dBc$	
Environmental & Mechanical Specifications		
Mating Durability	≥ 500 cycles	
Mechanical Shock Test Method	MIL-STD-202, Method 213, Test Condition D	
Vibration Test Method	MIL-STD-202, Meth. 204, Cond. A	
Temperature Range	-65°C to +85°C	
RoHS	Compliant	
Sealing Class	IP68 24hr, 1m, 20°C	

